



KLAY DIFFERENTIAL PRESSURE TRANSMITTERS

SERIES FKK

- MICROPROCESSOR BASED
- ACCURACY 0,1%
- 4-20 mA AND HART® PROTOCOL
- SMALL AND LIGHT WEIGHT
- WETTED PARTS AISI 316 L
- LOCAL DISPLAY
- WIDE RANGE OF "CHEMICAL SEALS"
- INTRINSICALLY SAFE EEx ia IIC T4



Description:

The FKK differential pressure transmitter accurately measures differential pressure or gauge pressure and transmits a proportional 4 to 20mA signal.

The transmitter utilizes the unique micro-machined **capacitive silicon sensor** with state-of-the-art microprocessor technology to provide exceptional performance and functionality.

Zero and span are adjustable in wide ranges. A local indicator is available (option).

Available ranges and limits

Type: **Model FKK:** 4 to 20mA + HART® protocol

Service: Liquid, gas or vapour

Static pressure, span, and range limit

Type	Static pressure (bar)	Span limit (mbar)		Range limit (mbar)
		Min. (mbar)	Max. (mbar)	
FKK□12	-1 to +32	(6)	(60)	(+/- 60)
FKK□33	-1 to +140	(20)	(320)	(+/- 320)
FKK□35	-1 to +140	(80)	(1300)	(+/- 1300)
FKK□36	-1 to +140	(312)	(5000)	(+/- 5000)
FKK□37	-1 to +140	(1250)	(20000)	(+/- 20000)

HART® is a registered trademark of HART Communication Foundation

 **KLAY-INSTRUMENTS B.V.**

Nijverheidsweg 5
P.O. Box 13
Tel. +31-521-591550
Fax +31-521-592046

7991 CZ DWINGELOO
7990 AA DWINGELOO
The Netherlands
E-mail: info@klay.nl

SPECIFICATIONS

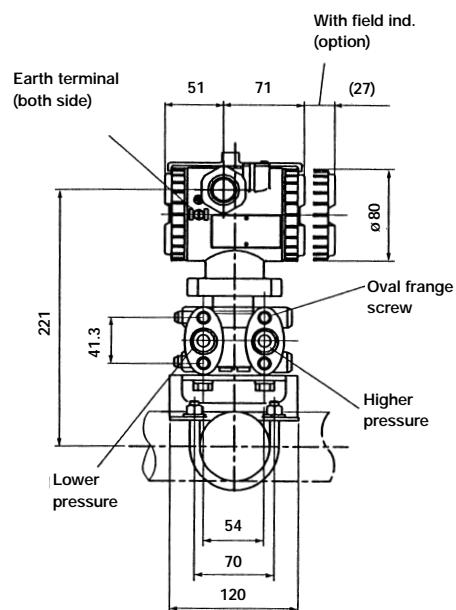
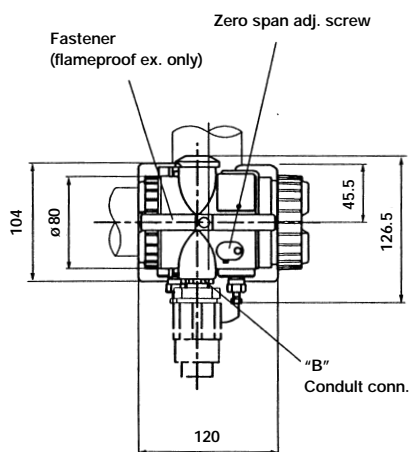
Accuracy : 0,1% of calibrated span
 Output : 4 - 20 mA + HART® Protocol
 Power supply : 10,5 - 45 Vdc
 Electrical connection : PG 13,5 / 1/2" NPT or M20 x 1.5
 Weight: : 3.4 kg (+ 0.8 kg for indicator)
 Process connection : 1/4 - 18 NPT
 Wetted parts : AISI 316 L
 Sensor O-rings : Viton (standard) or PTFE
 Housing : Low copper die cast aluminium with epoxy/pe double coating

Protection: : IP67 and Nema 4X
 Fill Fluid : Silicone oil (standard)
 Process temperature : -40°C to +100°C
 Ambient temperature : -40°C to +85°C
 Damping : 0 - 38 sec. adjustable
 Zero elevation/suppression : -100% to +100% of URL

Specifications can change without notice.

OUTLINE DIAGRAM (Unit: mm)

TOPVIEW:



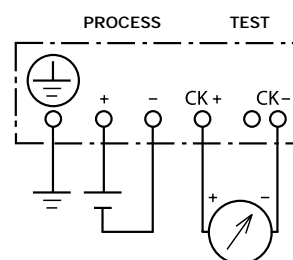
Zero/span adjustment

Model FKK: Zero and span are adjustable via the HHC. Zero is also locally adjustable.
Option: Zero can be adjusted by a adjustment screw (dip-switch in pos. "0"). The adjustment screw can also function to adjust span when DIP-SWITCH (located in the electronics unit) is in the span mode.

Loop-check output:

Model FKK: Transmitter can be configured to provide constant signal between 3.8mA and 21.6mA by HHC.

CONNECTION DIAGRAM



Chemical seals:

All kind of chemical seals are available with many different process connections, providing further chemical and thermal isolation.
 Please consult us for detailed information.